



Time is an essence

## TA300 Desktop Time and Attendance Fingerprint Terminal

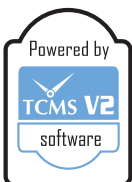


The TA300 is the latest time attendance machine from FingerTec that works like a mobile gadget - a desktop standalone fingerprint reader that does not require installation. The simplicity and mobility of TA300 makes it suitable for tasks that require attendance on the go such as training centers, tuition centers, construction workers, etc. With an internal battery that can last up to 5 hours of normal usage, the TA300 is not only competitively priced, it also provides extra convenience to users.

The TA300 model is ideal for small and medium companies that are looking for cost effective time clocking system that can increase efficiency in managing human resources. Employees check in and out using TA300, and by the end of the day, all you need to do is to plug the USB cable into your PC and download the data into the powerful TCMS V2 software for attendance reports.

The TA300 can store up to 500 fingerprint templates and 30000 transactions per terminal. It really gives you value for your money! Choose TA300 for simple attendance and attendance on-the-go!

*Note: Default TA300 is not embedded with any card reader but TA300 is compatible with three types of card technologies separately; If you require RFID, HID or MiFare reader in your TA300, contact us to order.*



### FEATURES & BENEFITS

#### EASY ENROLMENT

Enroll and record attendance with the TA300 in a few easy steps. You can choose to enroll at the terminal or you can do it via our TCMS V2 software. From the terminal, push the Enroll FP button and follow the instructions given by the machine. Password and Card enrolment can also be done at the terminal itself.

#### EASY DATA DOWNLOAD

Downloading of data to the TCMS V2 in a PC is easy with TA300; all you need to do is to plug in the USB cable from TA300 into a PC.

#### EASY USER MANAGEMENT

You can delete users from the terminal by pressing on the DelUser button. However please make sure that you have enrolled an administrator to the system to avoid unauthorized deletion.

#### EASY INSTALLATION

The TA300 doesn't need any installation. Just place the terminal on any surface and start using the TA300 with ease.

#### EASY ON THE POCKET

The TA300 is suitable for a small medium office, which follows simple attendance rules, and it's offered at a very competitive price.

## WEB LINK

### Product

- <http://info.fingertec.com/ta300-1>

### Quick Start Guide

- <http://info.fingertec.com/ta300-2>

### User Guide

- <http://info.fingertec.com/ta300-3>

### Video Guide

- <http://info.fingertec.com/ta300-4>

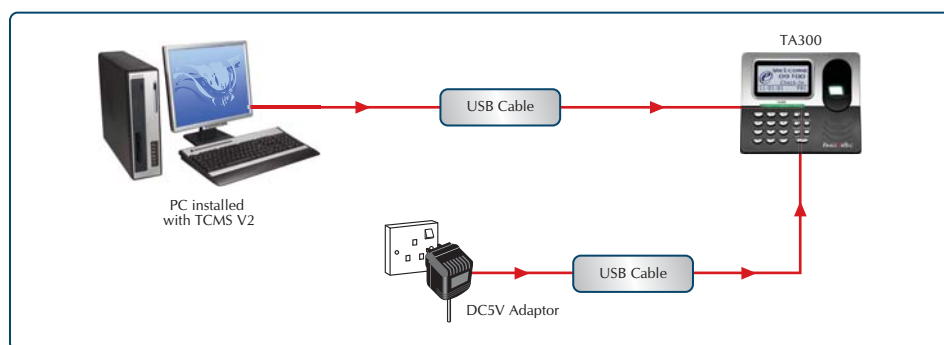
### Technical Tips

- <http://info.fingertec.com/ta300-5>

## LAYOUT PLAN

### Layout Plan (Single Terminal System)

for illustration only



## SPECIFICATIONS

<b>MODEL</b>	TA300
<b>SURFACE FINISHING</b>	Acrylonitrile Butadiene Styrene (ABS)
<b>TYPE OF SCANNER</b>	Optical
<b>PROCESSOR</b>	400 MHz microprocessor
<b>MEMORY</b>	4MB flash memory
<b>ALGORITHM</b>	BioBridge VX 9.0
<b>PRODUCT DIMENSION (L X W X H), mm</b>	190 x 52 x 140
<b>STORAGE</b>	
• Fingerprint templates	500
• Transaction	30000
<b>ENROLLMENT &amp; VERIFICATION</b>	
• Methods	Fingerprint (1:1, 1:N), Password <i>(Optional Card)</i>
• Recommended fingerprint per user ID	2
• Fingerprint placement	Any angle
• Verification time (sec)	< 1
• FAR (%)	< 0.0001
• FRR (%)	< 1
<b>CARD TECHNOLOGY</b>	
• RFID: 64-bit, 125kHz	Made to order
• MIFARE: MFIS50/S70, 13.56MHz	Made to order
• HID: HID 1325, 26-bit, 125kHz	Made to order
<b>COMMUNICATIONS</b>	
• Method	USB Client
• Baud rates	N/A
<b>OPERATING ENVIRONMENT</b>	
• Temperature (°C)	0 ~ 45
• Humidity (%)	20 ~ 80
• Power input	DC5V 800mA
<b>TIME ATTENDANCE</b>	
• Siren	N/A
• Work codes	N/A
<b>MULTIMEDIA</b>	
• Voice	Yes
• Display	Black and White
• Internal Backup Battery	Yes (DC5V, 1300mAh)
<b>VOICE / DISPLAY LANGUAGE (TERMINAL)</b>	English (Standard) / (Upon Request - Arabic / Indonesian / Spanish / Turkish / Thai / Polish / Korea / Romanian / Portuguese / Dutch / Chinese / French / Slovenia/ Russian/ Greek / Hebrew / Persian / Italian / Vietnamese / Czech / Bulgarian)
<b>SOFTWARE LANGUAGE</b>	English, Arabic, Indonesian, Spanish, Chinese, Thai, Vietnamese, French, Persian, Italian, Russian, Malay, Portuguese, German, Turkish

\*N/A: Not applicable



### Packaging

Dimension (mm): 207(L) x 136(W) x 146(H)  
Weight : 1kg



**FINGERTEC**  
www.fingertec.com

©2011 FingerTec Worldwide Sdn. Bhd. All rights reserved.

Authorized Reseller: